

*CompoLite*

CO<sub>2</sub>↓

RECTICEL *CompoLite* parts for vehicles of tomorrow: surprisingly light-weight and convincing in terms of dimensional stability – that's why we are **AUTOMOTIVE**.

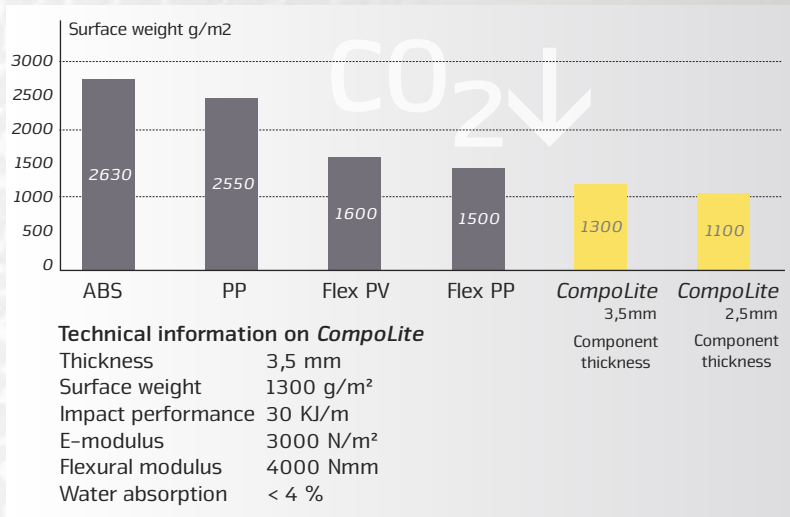
**RECTICEL**  
Automotive

## LESS WEIGHT – LESS CO2

*CompoLite* parts reduce the weight of the vehicle considerably. This lightweight substrate may be perfectly combined with a variety of decorative materials.

### A new dimension in automotive lightweight construction

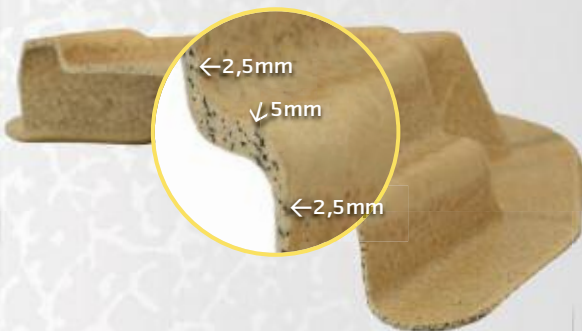
Compared to conventional substrates, *CompoLite* substrates are much more lightweight while keeping comparable mechanical properties and crash behavior, and thus contribute to an effective reduction of car weight.



This door component has been created as Innovation Project with Flanders DRIVE in co-operation with nine leading companies. Winner of the eco-design award OVAM PRO 2011: A lightweight functional door demonstrator

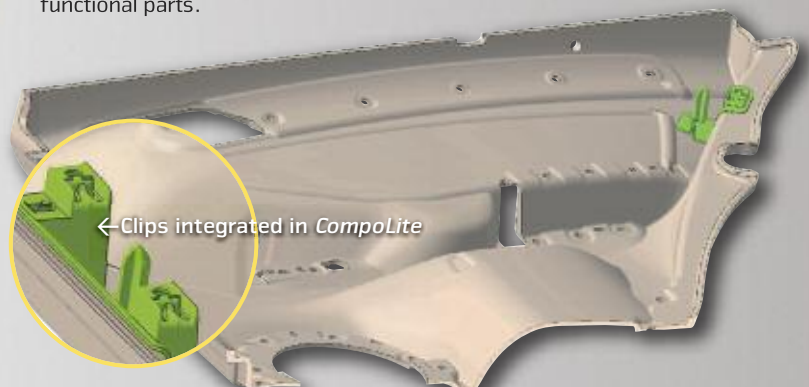
### Variability and stability in one component

The composition and the production process of the *CompoLite* substrate allow for a high degree of adjustability in terms of mechanical properties in one component. These properties can be adjusted to the individual requirements, as well as specific areas on the substrate.



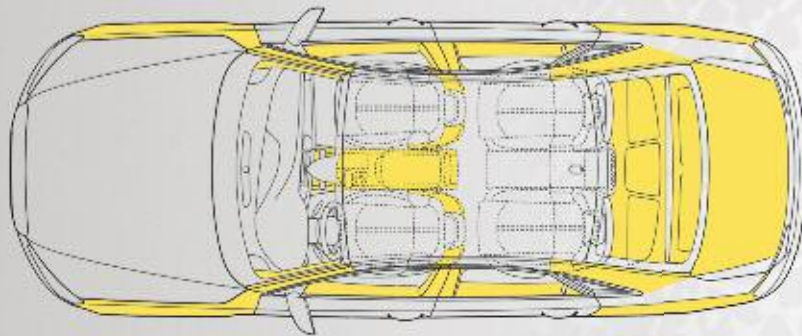
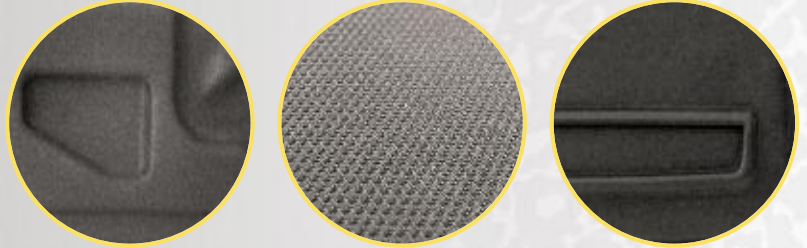
### Functional integration and design freedom

The *CompoLite* technology guarantees a very high degree of design freedom. Small radii, contoured undercuts, as well as dynamic cross sections are possible with nearly no restrictions. The high dimensional stability and the *CompoLite* production process enable a direct integration of attachment features and functional parts.



## Can be combined with all kinds of surface materials

*Compolite* substrates may be finished with all surfaces commonly used in the automotive interior trim sector. Besides the Colo-Fast® systems by Recticel, any other sort of decorative material is suitable, which can even lead to additional improvements in already excellent thermal and acoustic insulation properties.



## Three-dimensional components for various applications

- Door panels
- Arm rests
- Interior trim
- Pillar covers
- Top cover cabriolet
- Load floors
- Rear shelf
- Wheel arch paneling



Design: Hegge ID, Belgium



Speaker covers



Sitzrückseite

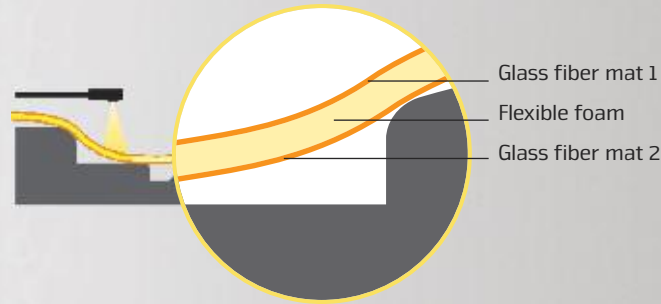


Verdeckklappe Cabrio

# BUILT-IN WEIGHT REDUCTION

*CompoLite* components are produced by the RECTICEL spray process, either as component substrate or as decorative parts ready to install.

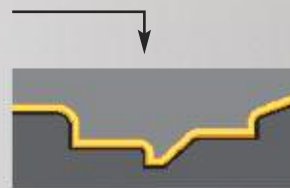
The three-dimensional *CompoLite* components are produced by a spraying process. A sandwich composed of two layers of glass or natural fiber mats and an intermediate foam layer is sprayed with rigid polyurethane foam. The rigid foam penetrates the sandwich, fully cures, and thus stabilizes the *CompoLite* component.



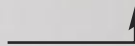
***CompoLite* component as lightweight substrate**



***CompoLite* component with Colo-Fast® spray skin**



***CompoLite* component with finished decorative material**



Recticel Automobilsysteme GmbH  
Im Mühlenbruch 10 - 12  
D-53639 Königswinter  
Phone +49-(0)2223-7500-0  
Email info-ras@recticel.com

www.recticel-automotive.com

RECTICEL Automotive is part of the Belgian corporate group RECTICEL, operating successfully in four business lines in Europe, USA, and Asia.

